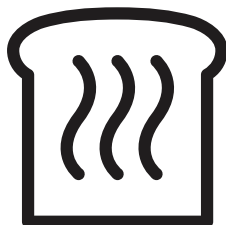


GRUNDIG

Toaster

User Manual

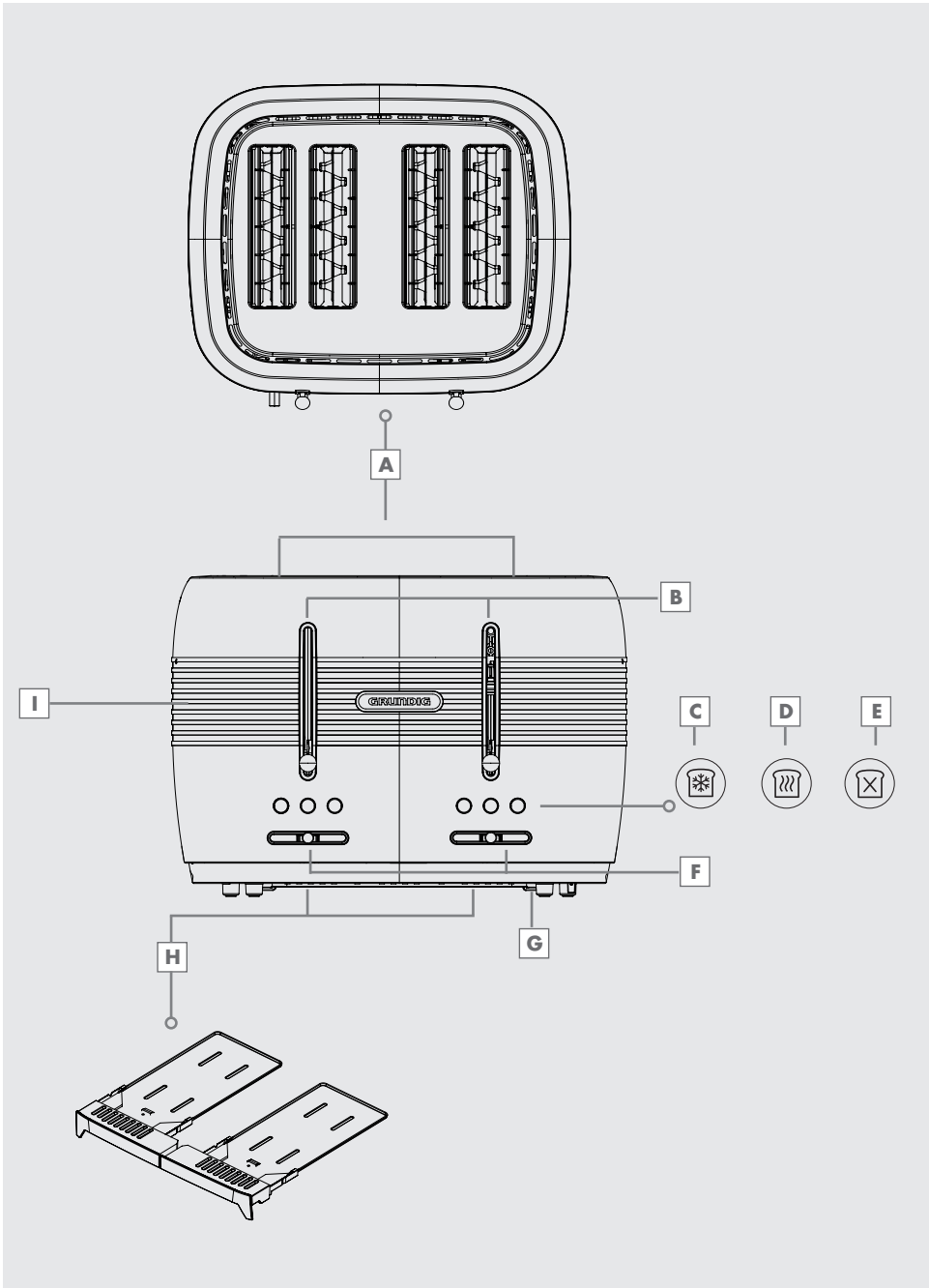


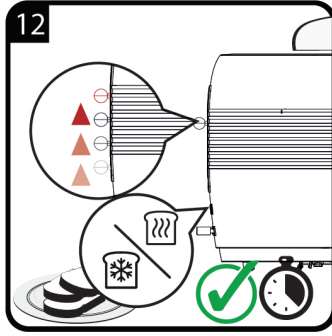
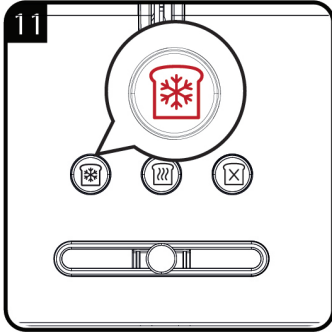
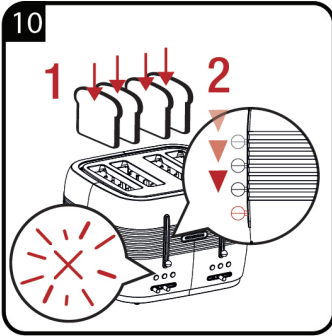
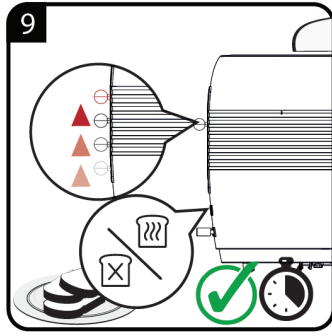
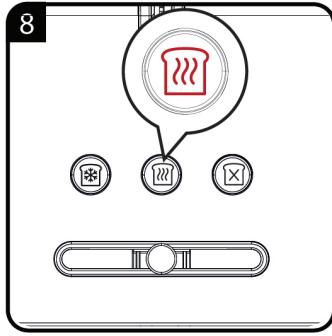
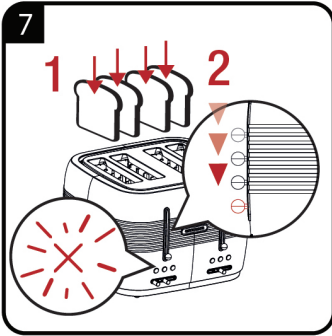
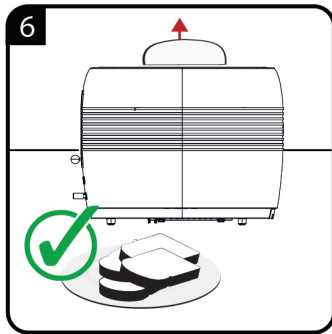
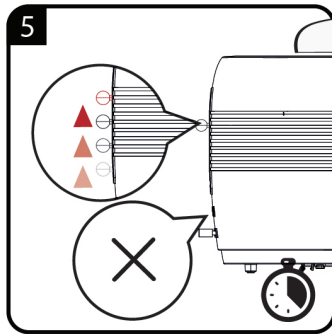
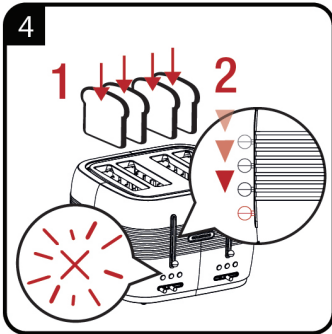
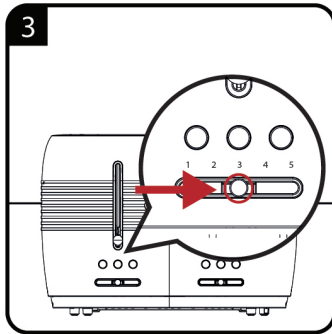
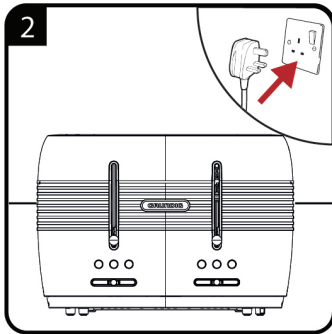
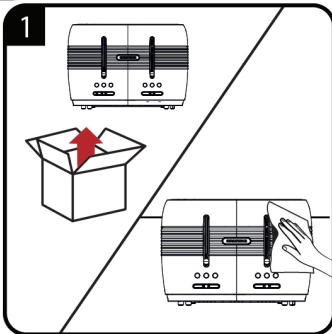
TA 7870 B - TA 7870 R
TA 7870 C

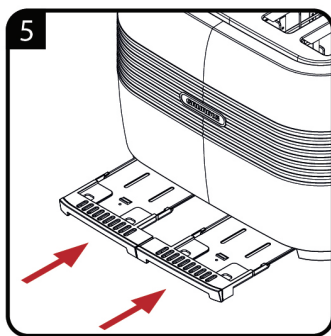
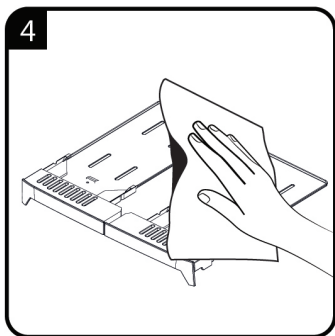
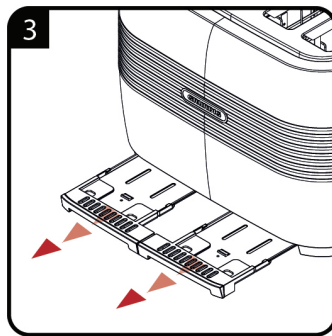
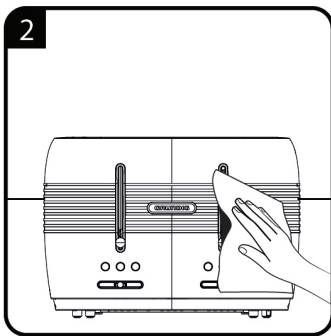
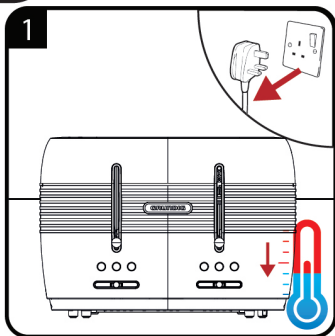
EN



01M-8816853600-0421-06
01M-8816863600-0421-06
01M-8819913600-0421-05







EN

OPERATION



CLEANING AND CARE

SAFETY AND SET-UP

Please read this instruction manual thoroughly prior to using this appliance! Follow all safety instructions in order to avoid damages due to improper use!

Keep the instruction manual for future reference. Should this appliance be given to a third party, than this instruction manual must also be handed over.

- The appliance is intended for domestic use only.
- Do not use the appliance for anything other than its intended use. The Toaster is designed for toasting and warming bread and buns only.
- Do not use the appliance outdoors or in the bathroom.
- Check if the mains voltage on the rating label corresponds to your local mains supply. The only way to disconnect the appliance from the mains is to pull out the plug.
- For additional protection, this appliance should be connected to a household faulty current protection switch with no more than 30 mA. Consult your electrician for advice.
- Do not immerse the appliance, power cord or power plug in water or in other liquids. Do not hold it under running water and do not clean parts in dishwasher.
- Disconnect the power plug after using the appliance, before cleaning the appliance, before leaving the room or if a fault occurs.
- Do not disconnect the plug by pulling on the cord.
- Do not wrap the power cord around the appliance.
- Do not squeeze or bend the power cord and do not rub it on sharp edges in order to prevent any damage. Keep the cord away from hot surfaces and open flames.
- Do not use an extension cord with the appliance.
- Never use the appliance if the power cord or the appliance is damaged.

SAFETY AND SET-UP

- Our GRUNDIG Household Appliances meet applicable safety standards, thus if the appliance or power cord is damaged, it must be repaired or replaced by the dealer, a service centre or a similarly qualified and authorized service person to avoid any dangers. Faulty or unqualified repair work may cause danger and risks to the user.
- Do not dismantle the appliance under any circumstances. No warranty claims are accepted for damage caused by improper handling.
- Always keep the appliance out of the reach of children.
- The appliance should not be used by the following persons, including children: those with limited physical, sensory or mental capabilities and also those with a lack of experience and knowledge. This does not apply to the latter if they were instructed in the use of the appliance or if they use it under the supervision of a person responsible for their safety. Children should always be supervised to ensure that they do not play with the appliance.
- Do not leave the appliance unattended while it is in use. Extreme caution is advised when the appliance is being used near children and people with limited physical, sensory or mental capabilities.
- Before using the appliance for the first time, clean all parts. Please see details in the “Cleaning and care” section.
- Dry the appliance and all parts before connecting it to mains supply and before attaching the parts.
- Never operate or place any part of this appliance on or near to hot surfaces such as gas burner, hot-plate or heated oven.
- The bread can catch fire because of overheating. Never use the appliance in or near to combustible, inflammable places, materials and furniture. Do not let the appliance come into contact with or become covered by inflammable materials such as curtains, textiles, walls, etc.
- Do not use paper, cardboard, plastic in or under the appliance.
- Use bread slices which are suitable for the bread slots.

SAFETY AND SET-UP

- Operate the appliance with delivered parts only.
- Do not use the appliance with damp or wet hands.
- Always use the appliance on a stable, flat, clean, dry and non-slip surface.
- Make sure that there is no danger that the power cord could be accidentally pulled or that someone could trip over it when the appliance is in use.
- Position the appliance in such a way that the plug is always accessible.
- Avoid contacting hot surfaces as the outer casing becomes warm during use. There is the danger of burning.
- Do not stick any foreign objects onto the appliance.
- This appliance must not be operated with an external clock timer or separate remote control system.
- When using for the first time, smoke can develop due to production residues. However, this does not mean the appliance is defective. The first time you switch it on, use the appliance as you normally would, but without bread. Ensure for proper room ventilation.
- To avoid the risk of fire, frequently remove crumbs from crumb tray.
- Do not use the toaster without the crumb tray in place.
- Do not use this product with any foodstuff product containing sugar or with products containing jam or preserves.
- Do not toast the bread with extremely runny ingredients such as butter.
- Do not attempt to extract any jammed toast, muffins, bagels, bread or any other item with a knife or any other object, as contact with live elements may cause electric shock.
- If the toaster begins to emit smoke during operation, immediately stop the toasting process. Should bread get stuck in the toaster, unplug the appliance before you pull out the bread. Be careful the bread may be very hot.

SAFETY AND SET-UP

- The toaster can only be switched on when the plug is connected to a wall socket.
- Do not use any tools or objects in the appliance. Metal objects could cause short circuits or electric shock. Do not damage the heating elements and mechanics.
- Do not use the appliance as a source of heat.
- Do not attempt to dislodge bread when the appliance is switched on.
- Always unplug from the wall socket when not in use and before cleaning.

AT A GLANCE

Dear Customer,
Congratulations on the purchase of your new GRUNDIG Stainless Steel Toaster TA 7870 B - R - C.

Please read the following user notes carefully to ensure you can enjoy your quality product from GRUNDIG for many years to come.

A responsible approach!



GRUNDIG focusses on contractually agreed social working conditions with fair wages for both internal employees and suppliers. We also attach great importance to the efficient use of raw materials with continuous waste reduction of several tonnes of plastic every year. Furthermore, all our accessories are available for at least 5 years. For a future worth living. Grundig.

Controls and parts

See the figure on page 3.

- A** Bread slot
- B** Start lever
- C** Defrost button
- D** Reheat button
- E** Cancel button
- F** Browning control
- G** Cable storage housing
- H** Crumb tray
- I** Body



Important information and useful hints about usage.



WARNING: Warnings for dangerous situations concerning the safety of life and property.



Do not immerse the appliance, power cord or power plug in water or in other liquids.



Materials are intended to be in contact with food.

OPERATION

Notes

- When using the appliance for the first time, smoke can develop due to production residues. However, this does not mean the appliance is defective. The first time you switch it on use the appliance as you normally would but without bread. It is recommended to use the medium setting of the browning control **F**. Ensure for proper room ventilation.
- Selecting 1 from the browning control **F** will give the lightest degree of browning and selecting 5 the darkest.
- To cancel the toasting process before it has finished, press the stop button **E**. The start lever **B** springs back up and the toast slices can be taken out of the toaster.
- After the start lever **B** springs back up, you can use the high-lift function by pushing the start lever **B** upwards.
- If toast slices get stuck in the toaster, switch the toaster off immediately by pressing the stop button **E**. Pull the power plug out of the wall socket. Let the toaster cool down completely. Carefully try to take the bread out of the toaster without damaging the sensitive heating elements and other parts. Do not use any electroconductive objects to remove the bread from the toaster.
- If you accidentally activate the wrong mode (defrost instead of reheat or reheat instead of defrost), then the selected mode must be cancelled first by pressing the stop button **E** before you can select the right mode.

Caution

- Be very careful when taking the toast slices out of the toaster as the metal parts of the toaster and also the bread can become very hot.

Caution

- Never use petrol solvents, abrasive cleaners, metal objects or hard brushes to clean the appliance.
- Never put the appliance or power cord in water or any other liquids.

Note

- Before using the appliance after cleaning, dry all parts carefully using a soft towel.

INFORMATION

Storage

- If you do not plan to use the appliance for a long period of time, please store it carefully.
- Make sure the appliance is unplugged, cooled down and completely dry.
- Wrap the power cord around the cable coil on the bottom of the toaster.
- Store the appliance in a cool, dry place.
- Make sure the appliance is kept out of the reach of children.

Handling and transportation

- During handling and transportation, carry the appliance in its original packaging. The packaging of the appliance protects it against physical damages.
- Do not place heavy loads on the appliance or the packaging. The appliance may be damaged.
- Dropping the appliance will render it non-operational or cause permanent damage.

Compliance with the WEEE Directive and Disposing of the Waste Product:

This product complies with EU WEEE Directive (2012/19/EU). This product bears a classification symbol for waste electrical and electronic equipment (WEEE).



This symbol indicates that this product shall not be disposed with other household wastes at the end of its service life. Used device must be returned to official collection point for recycling of electrical

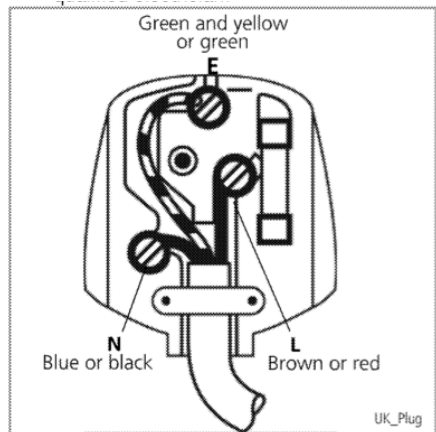
and electronic devices. To find these collection systems please contact to your local authorities or retailer where the product was purchased. Each household performs important role in recovering and recycling of old appliance. Appropriate disposal of used appliance helps prevent potential negative consequences for the environment and human health.

Plug Wiring

The moulded plug on this appliance incorporates a 10 A fuse. Should the fuse need to be replaced an ASTA approved BS1362 fuse of the same rating must be used. Do not forget to refit the fuse cover. In the event of losing the fuse cover, the plug must not be used until a replacement fuse cover has been fitted. Colour of the replacement fuse cover must be the same colour as that visible on the pin face of the plug Fuse covers are available from any good electrical store.

Fiting a different plug

- As the colours of the wires in the mains lead of this appliance may not correspond with the coloured markings identifying the terminals on your plug, proceed as follows:
 - Brown cable = L (Live)
 - Blue cable = N (Neutral)
 - Green/yellow cable must be connected to ground (E) \equiv line
 - With the alternative plugs a 10 A fuse must be fitted either in the plug or adaptor or in the main fuse box. If in doubt contact a qualified electrician.



Compliance with RoHS Directive

The product you have purchased complies with EU RoHS Directive (2011/65/EU). It does not contain harmful and prohibited materials specified in the Directive.

Package information



Packaging materials of the product are manufactured from recyclable materials in accordance with our National Environment Regulations. Do not dispose of the packaging materials together with the domestic or other wastes. Take them to the packaging material collection points designated by the local authorities.

Technical data



Power supply: 220-240 V~, 50-60 Hz

Power: 1700 - 2000 W

Technical and design modifications reserved.



For commissioning, general use and cleaning, please observe the instructions on pages 4-5 of this operating manual.

24 months breakdown and repair guarantee

Guarantor: **Beko plc, 1 Greenhill Crescent, Watford, Hertfordshire. WD18 8UF**

The guarantee does not in any way diminish your statutory or legal rights.

Your appliance has the benefit of our manufacturer's guarantee which covers the product for 24 months from the date of original purchase.

This gives you reassurance that if within that time, your appliance is proven to be defective because of either workmanship or materials, we will at our discretion either repair or replace your appliance.

The appliance must be correctly installed, located and operated in accordance with the instructions contained in the user manual. The guarantor disclaims any liability for accidental or consequential damage.

The Guarantee is subject to the following conditions:

- Documentary proof of the original purchase date is provided.
- The appliance has been installed and operated correctly in accordance with our operating and maintenance instructions.
- The appliance is used only on the electricity supply shown on the rating plate.
- The appliance has only been used for normal domestic purposes.
- The appliance has not been altered, serviced, dismantled or otherwise interfered with by any person.
- The appliance is used in the United Kingdom or the Republic of Ireland.
- Any parts removed during repair work or any product that has been replaced becomes our property.
- The guarantee is not transferrable if the product is resold.

The Guarantee does not cover:

- Transit, installation or delivery damage.
- Accidental damage.
- Misuse or abuse.
- Replacement of any consumable item or accessories. These include but are not limited to: plugs, cables, light bulbs, knobs, filters and flaps.
- Repairs or replacements required as a result of unauthorised repairs or inexpert installation that fails to meet the requirements contained in the user guide or instruction book.
- Repairs to products used in commercial or non-residential household premises.

How to obtain after sales service, help or general advice

Please keep your purchase receipt or other proof of purchase in a safe place as you will need to show us this document if your product requires attention within the guarantee period.

Please also record your product details below, which will allow you to access our services more quickly and help us identify your product. The model number is printed on the front of the user guide and the serial and model number is shown on your products rating plate.

| Model number | Serial number | Purchased from | Date of purchase |
|--------------|---------------|----------------|------------------|
| | | | |

Please call our UK based Customer Service department if you need urgent help or advice from us:

United Kingdom and Northern Ireland:

0333 207 9920

Republic of Ireland:

01 691 0203

You can also contact us through our website:

www.grundig.co.uk

Beko Grundig Deutschland GmbH
Thomas-Edison-Platz 3
63263 Neu-Isenburg

www.grundig.co.uk